



Silcarbon

activated carbon

ACTIVATED CARBON FILTERS

ACTIVATED CARBON FILTERS



Our SILCARBON activated carbon filters filled with SILCARBON activated carbon have been proving themselves for the treatment of air and water for many years. The tanks are equipped with all the fittings necessary such as excess-pressure valves and pressure gauges. The filters are connected easily to existing lines or hoses with the aid of standard Storz couplings or DN connections. The adsorbers are filled with qualitatively high-value SILCARBON activated carbon.

Thanks to the optimal utilization of the active carbon, the large-volume filters can be operated very economically even if the incoming contaminant concentration and/or contaminant amount varies. The primarily organic contaminants are successfully removed by the activated carbon through adsorption. Out of the wide range of activated carbon types our specialists choose the right and most economical activated carbon for your application.

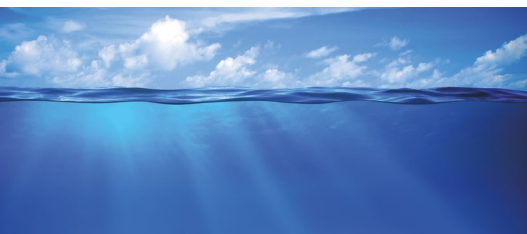
Our SILCARBON activated carbon filters can be purchased, rented or leased.

Additionally we offer our complete service around the activated carbon:

We deliver, exchange and take back our filters. Our technicians can assist installing the Silcarbon filtration systems. They also refill the filters with fresh carbon and take away the spent carbon. Or we just exchange the filters and bring these to our recycling center in Kirchhundem, Germany.

The spent carbon is recycled if amount and type of contaminants allows it. Otherwise orderly disposal is arranged.

We carry all required official licenses for waste management and you receive the necessary acceptance forms.



Practice-proven for the treatment of air and water: Silcarbon pressure filters filled with Silcarbon activated carbon



Overview of standard filter sizes

description	Filter diameter, mm	Filter height, mm	Connections, mm	Manhole / hand-hole DN	throughput m ³ /h (max.)	operating pressure bar (max.)
WAF 280	500	1800	DN 50 / 2"	300/150	1	6,0
WAF 520	750	1800	DN 50 / 2"	500/150	2	6,0
WAF 1200	1100	2000	DN 50 / 2"	500/150	5	6,0
WAF 1.500	1300	2000	DN 50 / 2"	500/150	6	4,0
WAF 2.500	1600	2200	DN 50/80 / 2"/3"	500/250	10	4,0
WAF 3.000	1800	2400	DN 65/ 2"	500/250	12	4,0
WAF 3.500	1900	2400	DN 65/ 2"	500/250	14	4,0
WAF 4.000	1600	3000	DN 80 / 3"	500 / 300	16	4,0
WAF 4.000	2000	2400	DN 65/ 2"	500/500	16	4,0
WAF 5.000	1600	3300	DN 65/ 2"	500 / 250	20	4,0
WAF 5.000	2000	2500	DN 80/ 3"	500/250	20	4,0
WAF 12.000	2000	5800	DN 80 / 3"	500 / 500	48	4,0
WAF 15.000	2200	5800	DN 100/ 4"	500/500	60	4,0
WAF 20.000	2500	6300	DN 100/ 4"	500/500	80	4,0
WAF 25.000	2500	7200	DN 100 / 4"	500 / 300	100	4,0
WAF 40.000	2500	9000	DN 100 / 4"	500 / 300	160	4,0

Connections: according to customer's requirement, also available with or without pipe loop

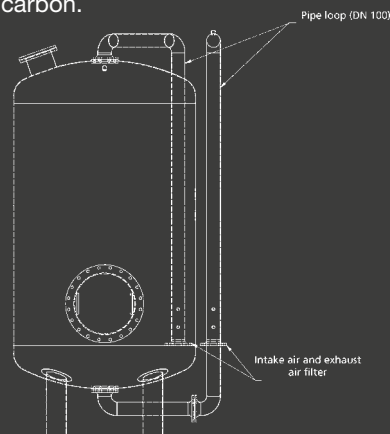
Fixtures: ½"-sampling points
safety valve
pressure gauge

With manufacturer's certificates acc.
AD 2.000 DRLG 97/23 (PED)
EU without TÜV-approval

- All filters are ready-to-operate
- After connecting to the available pipeline the filtration can start
- Maximum filter lifetime due to optimal design
- Large useful volume of activated carbon
- Immediate availability even after short notice due to large amount of filters on stock.

Everything from Silcarbon:

Our experienced team gladly assists you with the design, delivery and installation of the filtration equipment. After-sales service is a matter of course: filter exchange with removal and disposal or recycling of the spent activated carbon.



Silcarbon



Head office:
Silcarbon Aktivkohle GmbH
Mühlenweg 15 · 57399 Kirchhundem, Germany
Tel.: +49 2764 9351-0 · Fax: +49 2764 935124
info@silcarbon.com

www.silcarbon.eu

Version 1.2 EN / Printing date 13.05.2024



Intertek

DIN EN ISO 9001:2015

HALAL *Kosher*

Member ACPA
Activated Carbon Producer Association



The mark of
responsible forestry

